

MATERIALS:

- 1.Housing: PA46 ,UL94V-0 ,Black.
- 2.Shield: Brass, Nickel Plated
- 3.Contact: Phosphor Bronze, Plated Gold Over Nickel.

CONTACT 建倚科技股份有限公司
CONTACT TECHNOLOGY CORP.

TOLERANCE UNLESS OTHERWISE STATED:
 Up to 5 ±0.2
 Above 5 ~ 15 ±0.3
 Above 15 ~ 30 ±0.4
 Above 30 ~ 50 ±0.5
 Angle ±0.3

3RD. ANGEL'S

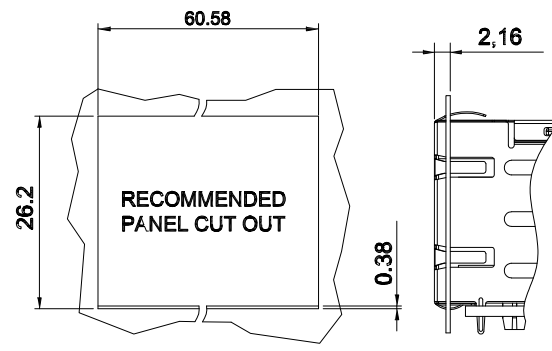
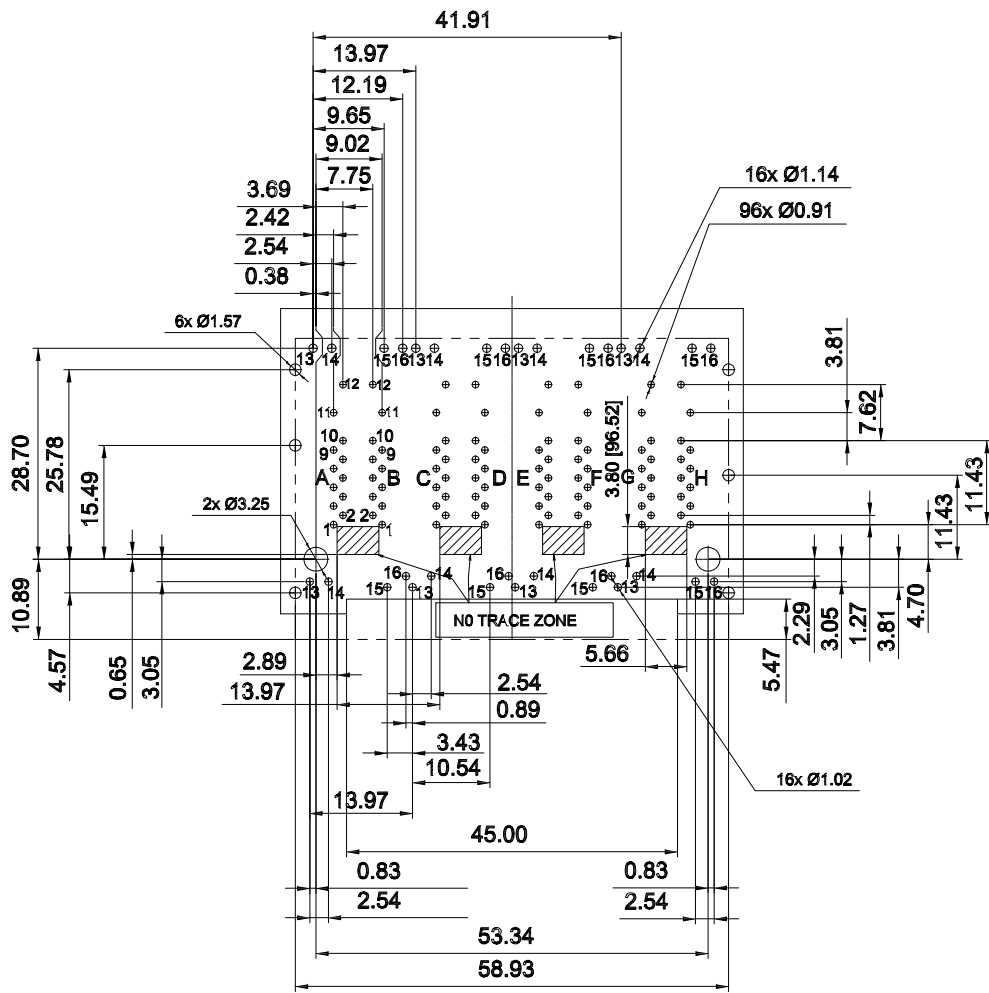


UNITS

MM

| | | | | |
|--------------|----------|-----------|----------|---|
| DRAWN BY: | DATE | MAT'L | TITLE | RJ45 |
| Jack Lu | 06/06/17 | FINISH | MODLE | RJ45 2*4 Extended Temp 10/100/1000Base-T/PoE+ W/LED |
| CHECKED BY: | DATE | SCALE | DWG NO. | MJ45-JDEA4T-GY-S118 |
| Jacky Chen | 06/06/17 | 1 : 1 | PART NO. | MJ45-JDEA4T-GY-S118 |
| APPROVED BY: | DATE | SHEET NO. | 1 of 3 | |
| Tony Kao | 06/06/17 | | | |

| ITEM NO. | DESCRIPTION | DRAWN | DATE |
|----------|-------------|-------|--------|
| 2 | 更新材質 | Jack | 060617 |
| 1 | 更新MODLE | Jack | 050917 |



P.C.B LAYOUT MOUNTING PATTERN

CONTACT 建倚科技股份有限公司
CONTACT TECHNOLOGY CORP.

TOLERANCE UNLESS OTHERWISE STATED:
 Up to 5 ±0.2
 Above 5 ~ 15 ±0.3
 Above 15 ~ 30 ±0.4
 Above 30 ~ 50 ±0.5
 Angle ±0.3

3RD. ANGEL'S



UNITS MM

| | | | | |
|--------------|----------|--------|-----------|---|
| DRAWN BY: | DATE | MAT'L | TITLE | RJ45 |
| Jack Lu | 06/06/17 | | MODLE | RJ45 2*4 Extended Temp 10/100/1000Base-T/PoE+ W/LED |
| CHECKED BY: | DATE | FINISH | DWG NO. | MJ45-JDEA4T-GY-S118 |
| Jacky Chen | 06/06/17 | | PART NO. | MJ45-JDEA4T-GY-S118 |
| APPROVED BY: | DATE | SCALE | SHEET NO. | 2 of 3 |
| Tony Kao | 06/06/17 | 1 : 1 | | |

| ITEM NO. | DESCRIPTION | DRAWN | DATE |
|----------|-------------|-------|----------|
| 2 | 更新材質 | Jack | 06/06/17 |
| 1 | 更新MODLE | Jack | 05/09/17 |

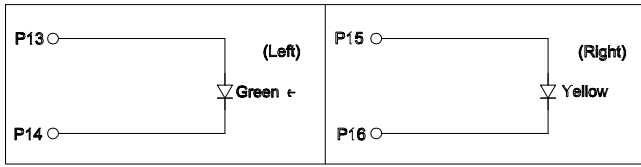
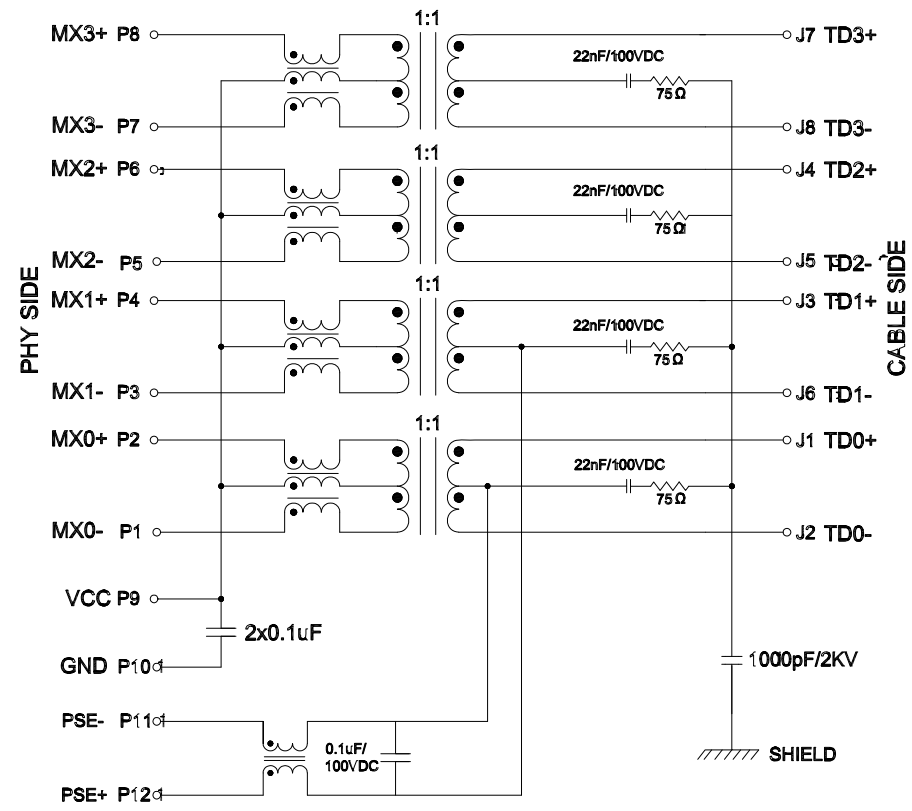
7

7

R2



Schematic



| PARAMETER | SPECIFICATIONS |
|---------------------------------------|---|
| OPERATING TEMPERATURE | -40°C To +85°C |
| TURNS RATIO | 1:1±2% |
| OPEN CIRCUIT INDUCTANCE(OCL) | 220uH MIN@100KHz/100mV With 19mA DC Bias For(CHANNEL1,2) 350uH MIN@100KHz/100mV With 8mA DC Bias For(CHANNEL3,4) |
| INSERTION LOSS(IL) | -1.1dB MAX@0.3MHz-100MHz; |
| RETURN LOSS(RL) (Z out=100 OHM) | -18dB MIN@1MHz-30MHz; -13dB MIN@30MHz-60MHz; -10dB MIN@60MHz-100MHz; |
| CROSSTALK (ADJACENT CHANNELS) | -30dB MIN@1MHz-100MHz; |
| COMMON MODE REJECTION RATIO(CMRR) | -30dB MIN@1MHz-100MHz; |
| DC CURRENT/VOLTAGE RATING-PSE PINS | 720mA MAXIMUM@57VDC(CONTINUOUS) |
| HI-POT | 2250 VDC@60 SECONDS |

| LED SPECIFICATION | | | |
|-------------------|------------|----------------|------|
| STANDARD LED | WAVELENGTH | Forward V(max) | TYP |
| GREEN | 565nm | 2.4V | 2.2V |
| YELLOW | 590nm | 2.5V | 2.1V |

*WITH A FORWARD CURRENT OF 20mA

CONTACT 建倚科技股份有限公司
CONTACT TECHNOLOGY CORP.

TOLERANCE UNLESS OTHERWISE STATED:
Up to 5 ±0.2
Above 5 ~ 15 ±0.3
Above 15 ~ 30 ±0.4
Above 30 ~ 50 ±0.5
Angle ±0.3

3RD. ANGEL'S

UNITS MM

| | | | | |
|--------------|----------|-----------|----------|--|
| DRAWN BY: | DATE | MAT'L | TITLE | RJ45 |
| Jack Lu | 06/06/17 | | MODLE | RJ45 2*4 Extended Temp 10/100/1000Base-T/PoE+ W/LED |
| CHECKED BY: | DATE | FINISH | SCALE | 1 : 1 |
| Jacky Chen | 06/06/17 | | DWG NO. | MJ45-JDEA4T-GY-S118 |
| APPROVED BY: | DATE | SHEET NO. | PART NO. | MJ45-JDEA4T-GY-S118 |
| Tony Kao | 06/06/17 | 3 of 3 | | |

| ITEM NO. | DESCRIPTION | DRAWN | DATE |
|----------|-------------|-------|--------|
| 2 | 更新材質 | Jack | 060617 |
| 1 | 更新MODLE | Jack | 050917 |